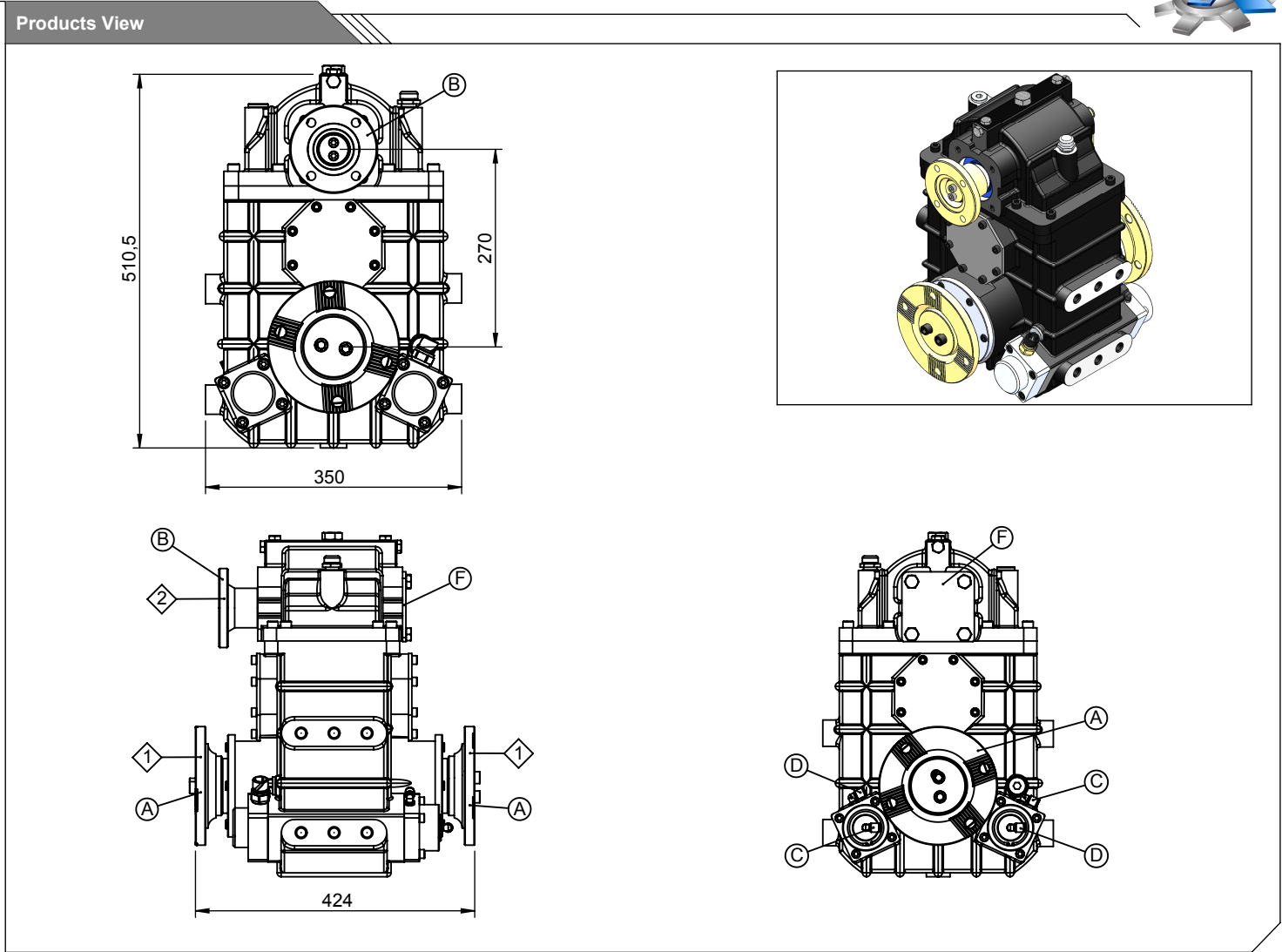


Vehicle Type	For Fire Fighting, Road Maintenance Vehicles
Gearbox Type	3 Stage Vertical Heavy Duty Split Shaft PTO

Product Code	UARA.2001
---------------------	------------------



Component Details

<p>A : DIN 150 (Cross Hatch)-DIN 180 (Cross Hatch)-DIN 180 B : DIN 100 (6 Holes) - DIN 120 (4 Holes) C : Air Inlet (Engage) D : Air Inlet (Disengage) F : Second Output (Optional)</p>
--

Technical Details

Outputs	Max. Power	Max. Torque		Internal Ratio	Mounting Side	Control Type
	kW	Nm	kgm			
1		20600	2100	1/1	Split Shaft	Pneumatic
2	135 kW			1/1.4 1/1.84 1/1.6 1/2.25	Weight	Sense of Rotation
3					135 kg	Same as Input